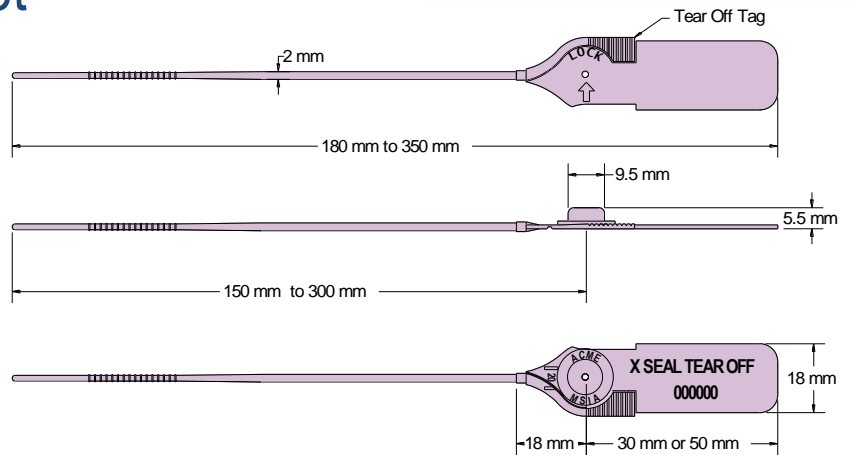




## X1 SEAL Data Sheet

Acme Reg No: 0703008a



The Acme **X1 Seal** is a versatile smooth ribbon pull-tight seal manufactured from Polypropylene material. The design features rolled heat staking technology to secure the metal spring insert to the body, which provides clear evidence of tampering if forced open or cut. The seal is manufactured with a **Short Tag (ST) & Long Tag (LT)** in three different lengths, all with a featured Tear Off Tag and with only a 2mm diameter ribbon this seal is ideal for many applications particularly where there are small sealing apertures.

### Technical Data

#### Recommended Applications

Airline in-flight duty free or Catering Trolleys, Baggage, Refineries, Fuel and Oil Tankers, Chemical Drums, ATM Dispensers, Coin Boxes, Cash Bags, Gaming Machines, Postbags, Fire doors, Lockers

#### Material

Body - Polypropylene with Biodegradable additives  
Insert - Spring Stainless Steel

#### Available Operating Lengths

##### (ST) Short Tag (30mm)

(L2) 20cm (overall 23cm)  
(L3) 30cm (overall 33cm)

##### (LT) Long Tag (50mm)

(L2) 20cm (overall 25cm)  
(L3) 30cm (overall 35cm)  
(L4) 35cm (overall 40cm)

#### Tag Marking Dimensions

Short Tag - 18mm x 20mm  
Long Tag - 18mm x 40mm

#### Ribbon Diameter

2mm

#### Average Application Breaking Strength

12kg

#### Marking

Laser or Foil marking  
Consecutively numbered as standard  
Optional Customer name/logo  
Optional Laser Barcoding

#### Colours

Foil marked: red, blue, green, yellow, orange, black, white.  
Laser or Foil marked: pastel shades of pink, blue, green, yellow, peach, also black and white.  
Other colours may be available on request.

#### Packaging

Standard Packaging : 10 per mat and 1,000 seals/carton

Carton Dimensions ST & LT : (L2) - 29cm x 20cm x 22cm  
: (L3) - 37cm x 20cm x 22cm  
: (L4) - 50cm x 22cm x 18cm

Carton weight (ST) : (L2) - 1.65kg/carton  
: (L3) - 1.95kg/carton

Carton weight (LT) : (L2) - 2.0kg/carton  
: (L3) - 2.3kg/carton  
: (L4) - 3.0kg/carton

