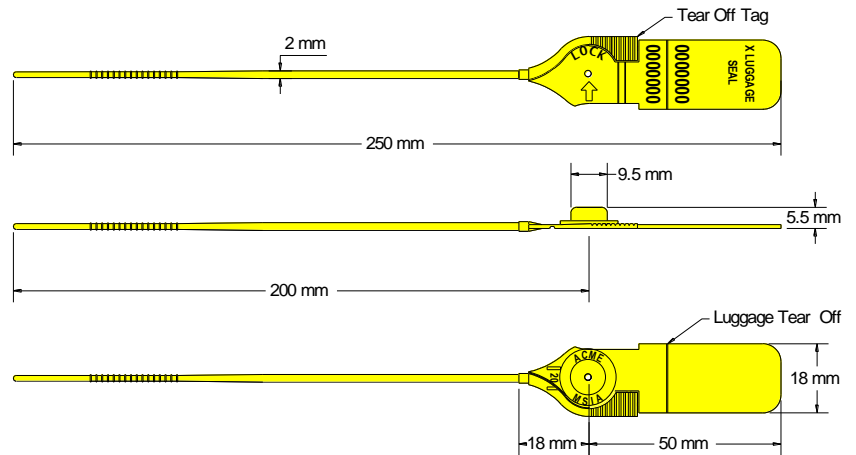




LUGGAGE SEAL Data Sheet

Acme Reg No:2306020



The Acme **LUGGAGE Seal** is a development from the Acme X Seal being a biodegradable security seal designed for luggage or anything requiring receipt systems. The product would be seen as a replacement to label applying with the luggage seal having a body and receipt with both parts containing the same serial number. Once the seal is securely placed whether locking luggage zippers or boxes containing personal belongings, the receipt part would be handed to the owner of the handed in goods for them to check the seal number matches that left on their personal belongings. Upon collecting the goods the receipt tab with number must match that on the handed in goods to ensure no tampering has taken place, if missing or not matching further inspection is required.

Technical Data

Recommended Applications

Airport check-in baggage, Hotel reception baggage storage, Tourism attractions such as theme parks, museums with personal belonging storage, Hospitals for patients personal belongings, Shopping malls with pushchair/wheelchair hire

Material

Body - Polypropylene with Biodegradable additives
Insert - Spring Stainless Steel

Available Operating Length

20cm (overall 25cm)

Ribbon Diameter

2mm

Average Application Breaking Strength

12kg

Marking

Laser
Consecutively numbered as standard
Optional Customer name/logo

Colours

Pastel shades of pink, blue, green, yellow, peach, also black and white.
Other colours may be available on request.

Packaging

Standard Packaging : 10 per mat and 1,000 seals/carton
Carton Dimensions : 29cm x 20cm x 22cm
Carton weight : 2.0kg/carton

