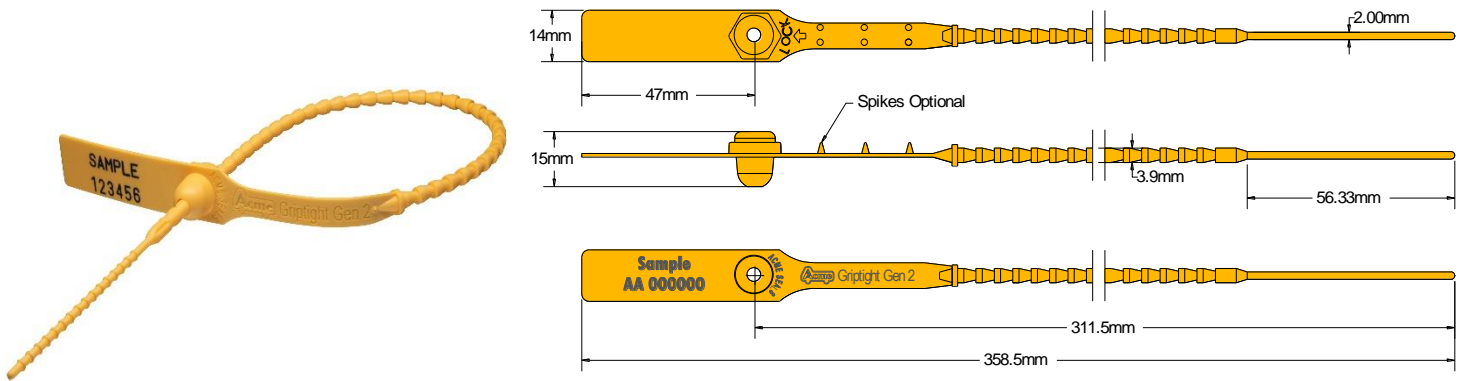




GRIPTIGHT GEN2 SEAL Data Sheet

Acme Reg No: 20220101



The Acme **Griptight Gen2 Seal** is a heavy duty pull-tight seal manufactured from two dissimilar materials. The acetyl insert is durable and will withstand freezing and boiling conditions, whilst the nylon body is flexible for easy use. The design features rolled heat staking technology to secure the insert to the body, which provides clear evidence of tampering if forced open or cut. This seal is suitable for most applications where strength is a requirement.

Technical Data

Recommended Applications

Airlines, Cargo, Trailers, Tankers, Rail freight, Refineries, Containers, Postbags, Lockers, Banks, Cash in Transit.

Material

Body - Nylon 66 with Biodegradable additives
Insert - Acetyl with Biodegradable additives

Available Operating Length

(L1) 31.15cm (overall 35.85cm)

Ribbon Diameter

3.9mm

Tag Marking Dimension

14mm x 47mm

Average Application Breaking Strength

35kg

Marking

Laser or Foil marking
Consecutively numbered as standard
Optional Customer name/logo

Colours

Foiled marked: Red, Blue, Green Yellow, Black, White
Laser marked: Yellow & White
Other colours may be available on request

Packaging

Standard Packaging : 10 per mat and 1,000 seals/carton
Carton Dimension : 39cm x 30cm x 23.5cm
Carton weight : 4.85kg/carton

